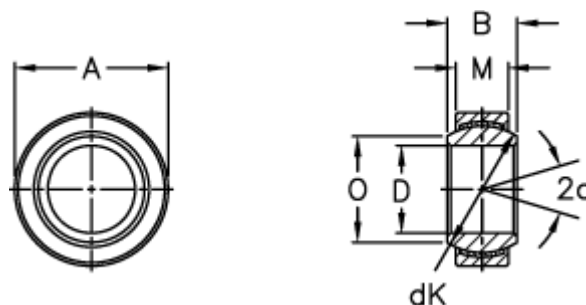


Article number: 03441280

Description: Fluro Rod end GE 280EC-2RS

Measures



A = 400 0 -0,040

B = 155

D = 280 0 -0,035

dK = 350

Dynamic load C (kN) = 6700

M = 120

O = 313.8

Static load C0 (kN) = 13400

Tilt angle = 6

Weight = 64600